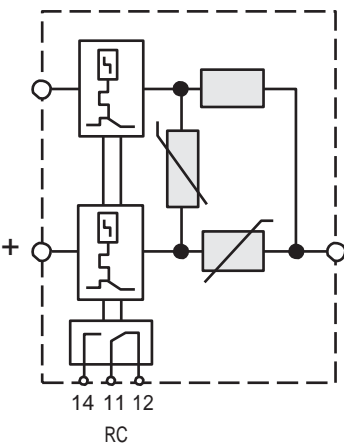


DC POWER PROTECTION - CLASS 1

MER12.5/24-48DC Class , - EC; Class B - VDE
 MP (10/350) = 12.5 kA
 MAX (8/20) = 60 kA
 UP (MP) < 350V



The MER12.5/24-48/DC provides economical and reliable class 1 protection for DC power distribution systems. Internal thermal disconnect devices ensure safe isolation during sustained and abnormal events on the distribution network, or at end of life. Visual indication and voltage free contacts are provided for remote signaling if replacement is due.



SPECIFICATIONS	MER12.5/24-48/DC
Maximum operating voltage (Uc)	100VDC
Frequency	0 to 60Hz
Max current rating (10/350us) limp	12.5kA
Rated surge current (8/20us) n	20kA
Reaction Time	25 Nano Seconds
Max. Surge current (8/20us) max	60kA
Protection Modes	Common / differential
Technology	MOV with thermal disconnect
Short circuit current rating	25kA
Voltage protection level @ 3KA 8/20 @ imp	<250 <350V
Status indication	Mechanical flag Contact 250V -/1.5A, Max 1.5mm (#14AWG) connection wire
Dimensions	0mm x 70mm x 68mm
Enclosure	P 20 Thermo plastic
Mounting	35mm D N rail
Temperature	- 40°C to 80°C
Approval	EC 61643-1

